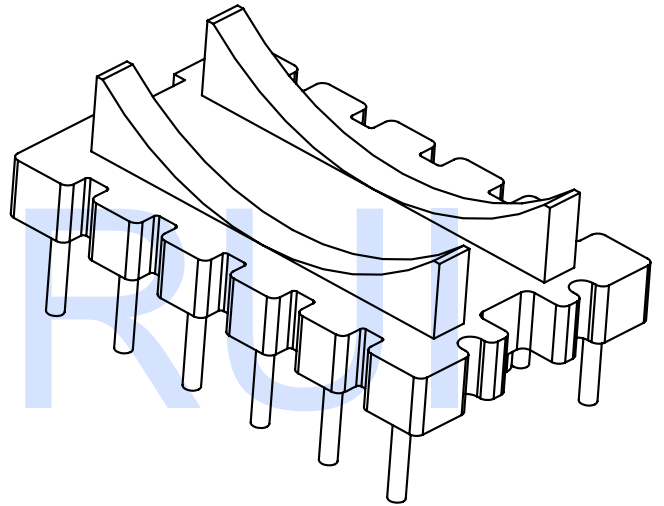
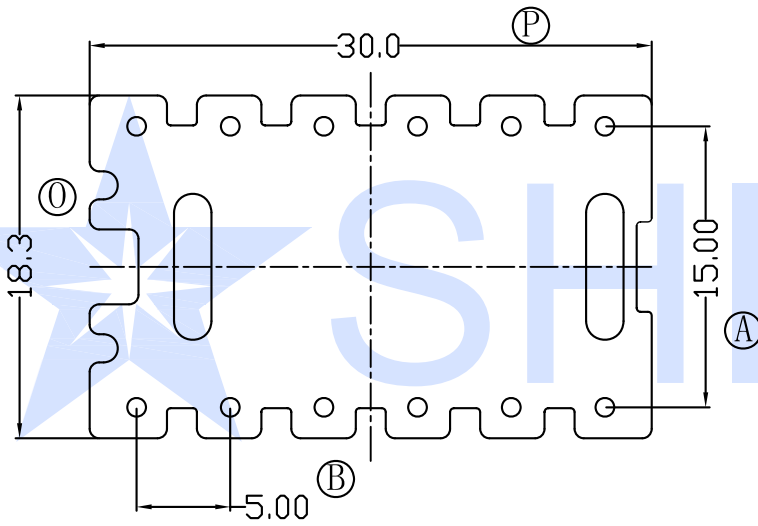
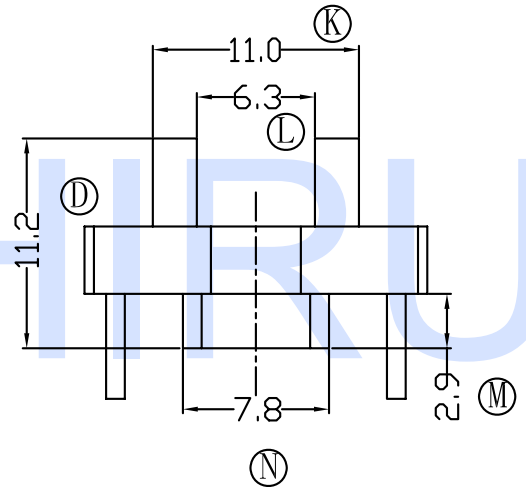
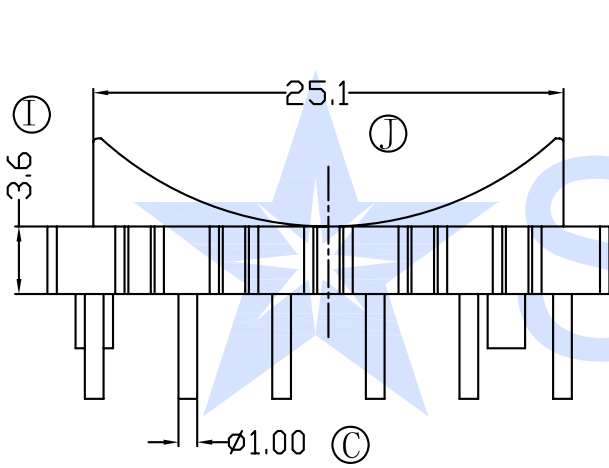


P/N

SR-BASE 009

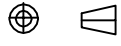


Hefei Shirui Electronic Technology Co.,Ltd

TEL: (0086) 55165232650

sales@shiruitech.com

www.shiruitech.com

SR NO. SR-BASE 009	MATERIAL: PHENOLIC UL REC: UL 94V-0	UNIT: mm TOLERANCE 0 L 4 ± 0.10 4 L 16 ± 0.20 16 L 64 ± 0.30 PIN PITCH ± 0.05	DRN. CHD.	WILL H IRINA LEE
MODEL NAME! BASE-(6+6P)	ANGLE: \pm°  SCALE 1:1		ISSD.	JAMES HU